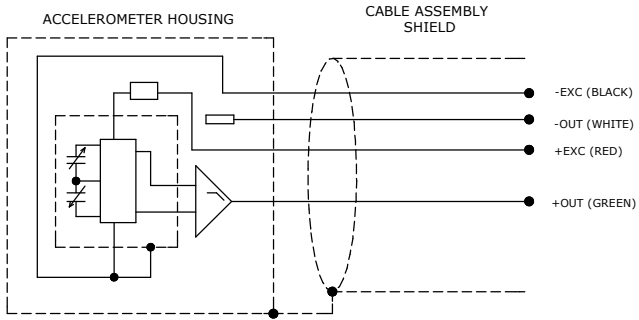


SPECIFICATIONS:

All values are typical at +24°C (+75°F) and 12Vdc excitation unless otherwise stated.

PARAMETERS	VALUE								UNITS
DASH NO.	-002	-005	-010	-030	-050	-100	-200		
DYNAMIC RANGE	±2	±5	±10	±30	±50	±100	±200		g
SENSITIVITY ±10% (DIFFERENTIAL)	1000	400	200	67	40	20	10		mV/g
FREQUENCY RESPONSE ±5%	0-250	0-700	0-1000	0-1000	0-1000	0-1000	0-1000		Hz
RESIDUAL NOISE (PASSBAND)	200	250	300	300	300	300	300		µV RMS
SHOCK LIMIT	2000	5000	5000	5000	5000	5000	5000		g

PARAMETERS	VALUE	UNITS
ZERO ACCELERATION OUTPUT (DIFFERENTIAL)	± 50	mV
TRANSVERSE SENSITIVITY	< 3	%
NON-LINEARITY (BFSL)	± 1	% FSO
THERMAL ZERO SHIFT, REFERENCE 24°C (75°F)	-40 to +100°C (-40 to +212°F)	± 2.5
	-54 to +121°C (-65 to +250°F)	± 3.0
THERMAL SENSITIVITY SHIFT, REFERENCE 24°C (75°F)	-40 to +100°C (-40 to +212°F)	± 3.0
	-54 to +121°C (-65 to +250°F)	± 3.5
EXCITATION VOLTAGE	8 to 36	Vdc
EXCITATION CURRENT	< 5	mA
COMMON MODE VOLTAGE	1.6	Vdc
FULL SCALE OUTPUT VOLTAGE	± 2	Vpk (FSO = 2V)
OUTPUT IMPEDANCE	< 100	Ω
INSULATION RESISTANCE (@100Vdc)	> 100	MΩ
OPERATING TEMPERATURE	-54 to +121 (-65 to +250)	°C (°F)
HUMIDITY (ACTIVE ELEMENT & ELECTRONICS)	Hermetic Seal	
HUMIDITY (HOUSING)	Silicone Potted IP65	
WEIGHT (CABLE NOT INCLUDED)	10	Grams
MOUNTING TORQUE	6 (0.7)	lb-in (N-m)
TURN ON TIME	< 100	mSEC

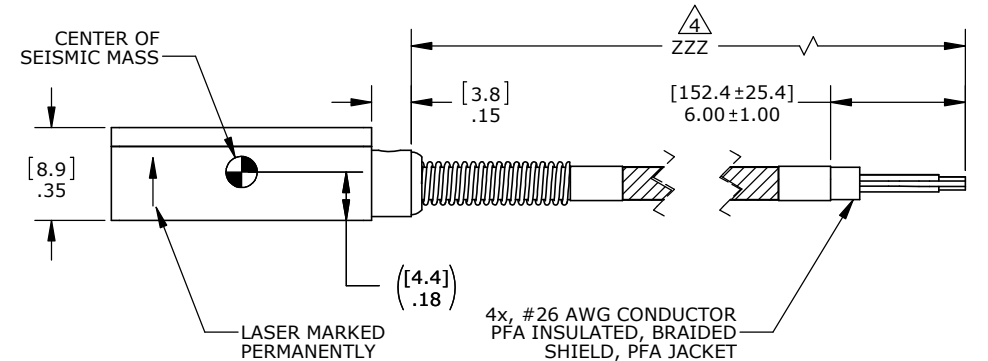
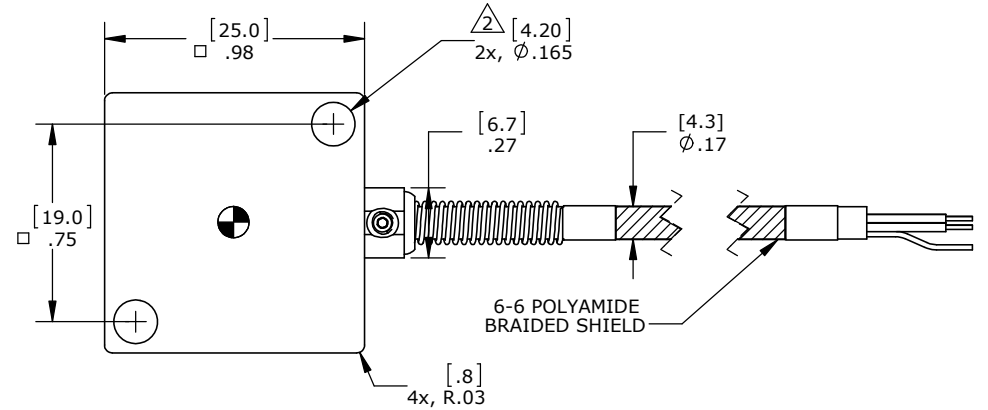


NOTES:

- ALUMINUM HOUSING, WITH CHEM FILM COATING, IS ELECTRICALLY CONDUCTIVE. SINGLE-POINT GROUNDING BY USER REQUIRED TO PREVENT GROUND LOOPS(SHIELD OF MATING CABLE MUST FLOAT ON USER END WHEN MOUNTING ACCELEROMETER TO CONDUCTIVE SURFACE)
- FOR #8-32 (UNIFIED SCREW THREAD) OR M4 METRIC SOCKET HEAD CAP SCREW.
- MODEL NUMBER, (SEE SHEET 2 OF 2 FOR MODEL NUMBER WITH STANDARD OPTION) 4604M8-XXX-ZZZ-C
 CABLE LENGTH (INCHES) [e.g. 120 IS 120 INCHES OF CABLE] RANGE (g) [e.g. 100 IS 100g RANGE]
- CABLE LENGTH TOLERANCE SEE TABULATION.

REVISIONS

REV	DESCRIPTION	DRAWN/DATE	CHECK./DATE	APPR./DATE
A	INITIAL RELEASE	CL/9-08-15	AR/9-08-15	TFC/9-08-15
B	ADDED THE BRAIDED SHIELD	CL/11-05-15	AR/11-05-15	TFC/11-05-15
C	CHANGE THE MOUNTING HOLES	CL/1-04-15	AR/1-04-15	TFC/1-04-15
D	CHANGE VALUE IN THE RESIDUAL NOSIE	CL/6-04-15	AR/6-04-15	TFC/6-04-15



TABULATION 4	
ZZZ	TOLERANCE
≤ 4 [102]	+0.5 [13] -0 [0]
> 4 [102] & ≤ 12 [305]	+1 [25] -0 [0]
> 12 [305] & ≤ 60 [1524]	+2 [51] -0 [0]
> 60 [1524] & ≤ 120 [3048]	+4 [102] -0 [0]
> 120 [3048] & ≤ 360 [9144]	+6 [152] -0 [0]
> 360 [9144]	+12 [305] -0 [0]

UNLESS OTHERWISE SPECIFIED:		NAME	DATE
DIMENSIONS ARE IN INCHES [mm] TOLERANCES: ANGULAR ±5° TWO PLACE DECIMAL ±0.03 [0.8] THREE PLACE DECIMAL ±0.010 [0.25]	DRAWN	C.L.	9-08-15
	CHECKED	A.R.	9-08-15
	ENG APPR.	TFC	9-08-15
	MATERIAL	MFG APPR.	
FINISH	Q.A. APPR.		
PROPRIETARY AND CONFIDENTIAL THE INFORMATION CONTAINED IN THIS DRAWING IS THE SOLE PROPERTY OF MEASUREMENT SPECIALTIES, INC. ANY REPRODUCTION IN PART OR AS A WHOLE WITHOUT THE WRITTEN PERMISSION OF MEASUREMENT SPECIALTIES, INC. IS PROHIBITED.		COMMENTS: DO NOT SCALE DRAWING. INTERPRET GEOMETRIC TOLERANCING PER ANSI Y14.5M - 1994.	



Aliso Viejo, CA 92656

TITLE:
MODEL 4604M8-XXX-ZZZ-C
ACCELEROMETER

SIZE	DWG. NO.	REV
B	OD-4604M8-XXX-ZZZ-C	D
SCALE:	WEIGHT:	SHEET 1 OF 1