

FN2640

Press-Fit Load Cell

SPECIFICATIONS

- Membrane Load Cell Design
- Range from 100 N to 50,000 N (20 lbf to 10,000 lbf)
- Stainless Steel or Aluminum

The **FN2640** is specially designed for overseeing manufacturing processes. It measures with high consistency the regularity of compression load generated when fitting pieces.

With its compact design and robust construction, the sensor easily integrates into industrial environments for use in applications such as printing, embossing, or other mounting controls. The **FN2640** features a spherical load button for better load distribution.

With a long standing experience as a designer and manufacturer of sensors, TE CONNECTIVITY often works with customers to design or customize sensors for specific uses and testing environments.

To meet your needs we also offer extensive turnkey systems. The matched components (sensor, power, amplifier and digital display) are formatted, calibrated and ready for immediate use.

On request, Instruction documents can be provided to ease the selection and use of our sensors and provide helpful tips.

FEATURES

- Compression only
- Small size and flat design
- Spherical Load Button
- Easy Installation

APPLICATIONS

- Process Control Equipment
- Printing Embossing
- Laboratory and Research

STANDARD RANGES

Ranges in N (FS)	100	250	500	1k	2,5k	5k	10k	25k	50k
Ranges in lbf (FS)	20	50	100	200	500	1k	2k	5k	10k
Stiffness in N/m	5x10 ⁶	2x10 ⁷	5x10 ⁷	9x10 ⁷	3x10 ⁸	1x10 ⁹	8x10 ⁸	3x10 ⁹	9x10 ⁹
Stiffness in lbf/ft	3.4x10 ⁵	1.4x10 ⁶	3.4x10 ⁶	6.2x10 ⁶	2.1x10 ⁷	6.9x10 ⁷	5.5x10 ⁷	2.1x10 ⁸	6.2x10 ⁸
Material	Aluminum alloy			Stainless steel					

PERFORMANCE SPECIFICATIONS (typical values at temperature 23±3 °C)

PARAMETERS	
Operating Temperature Range (OTR)	-20 to 80° C [-4 to 176° F]
Compensated Temperature Range (CTR)	0 to 60° C [32 to 140° F]
Thermal Zero Shift in CTR	<0.5% F.S. / 50° C [100° F]
Thermal Sensitivity Shift in CTR	<1% of reading / 50° C [100° F]
Over-Range	
Without Damage	3 x F.S.
Without Destruction	5 x F.S.
Accuracy	
Combined Non-Linearity & Hysteresis	±1% F.S.

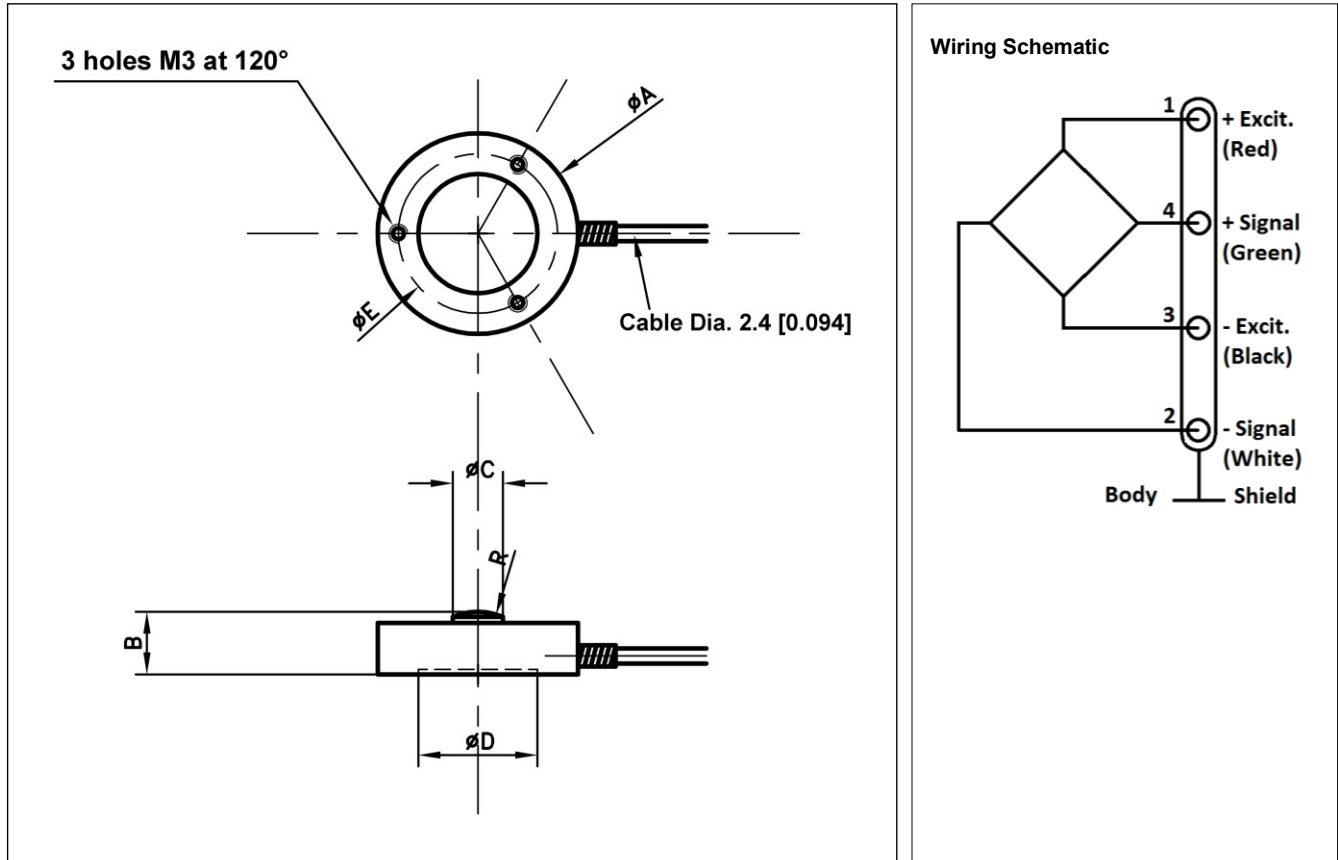
Electrical Characteristics

Model	FN2640
Supply Voltage	1 to 10 Vdc
Sensitivity "FSO"	1mV/V
Zero Offset	<±1mV
Input Impedance/Consumption	350 to 700Ω
Output Impedance	350 to 750Ω
Insulation under 50Vdc	≥100MΩ

Notes

1. Sensors are calibrated with 10Vdc power supply as standard.
2. Signal goes negative in compression with standard wiring configuration
3. Electrical Termination: Shielded cable; standard length 2 m [6.5 ft] with strain relief spring
4. Materials: Body in stainless steel or aluminium alloy depending on F.S.
5. CE conformance according to EN 61010-1, EN 50081-1, EN 50082-1
6. Signal goes negative in compression with standard wiring configuration

DIMENSIONS & WIRING SCHEMATIC (IN METRIC AND IMPERIAL)



Dimensions in mm [inch]

F.S. Ranges in N [lbf]	100 [20]	250 [50]	500 [100]	1k [200]	2.5k [500]	5k [1k]	10k [2k]	25k [5k]	50k [10k]
ϕA	32 [1.26]						53 [2.09]		
B	10 [0.39]						16 [0.63]		
ϕC	8 [0.31]						22 [0.87]		
ϕD	19 [0.75]						40 [1.57]		
ϕE	25.5 [1.00]						46.5 [1.83]		
R	15 [0.59]						50 [1.97]		
Material	Aluminum alloy				Stainless steel				

FN2640

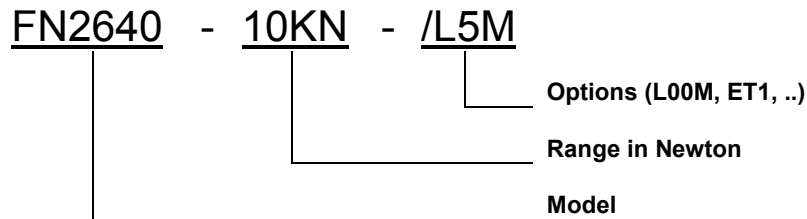
Press-Fit Load Cell

OPTIONS

V00 : Non-standard power supply calibration, replace "00" with value in Volt (standard 10Vdc)

L00M : special cable length, replace "00" with total length in meters

ORDERING INFORMATION



NORTH AMERICA

Measurement Specialties, Inc.,
a TE Connectivity company
45738 Northport Loop West
Fremont, CA 94538
Tel: +1 800 767 1888
Fax: +1 510 498 1578
customercare.frmf@te.com

EUROPE

MEAS France SAS,
a TE Connectivity company
26 Rue des Dames
78340 Les Clayes-sous-Bois, France
Tel: +33 (0) 130 79 33 00
Fax: +33 (0) 134 81 03 59
customercare.lcsb@te.com

ASIA

Measurement Specialties (China) Ltd.,
a TE Connectivity company
No. 26 Langshan Road
Shenzhen High-Tech Park (North) Nanshan
District, Shenzhen, 518057
China
Tel: +86 755 3330 5088
Fax: +86 755 3330 5099
customercare.shzn@te.com

TE.com/sensorsolutions

Measurement Specialties, Inc., a TE Connectivity company.

Measurement Specialties, TE Connectivity, TE Connectivity (logo) and EVERY CONNECTION COUNTS are trademarks. All other logos, products and/or company names referred to herein might be trademarks of their respective owners.

The information given herein, including drawings, illustrations and schematics which are intended for illustration purposes only, is believed to be reliable. However, TE Connectivity makes no warranties as to its accuracy or completeness and disclaims any liability in connection with its use. TE Connectivity's obligations shall only be as set forth in TE Connectivity's Standard Terms and Conditions of Sale for this product and in no case will TE Connectivity be liable for any incidental, indirect or consequential damages arising out of the sale, resale, use or misuse of the product. Users of TE Connectivity products should make their own evaluation to determine the suitability of each such product for the specific application.

© 2015 TE Connectivity Ltd. family of companies All Rights Reserved.